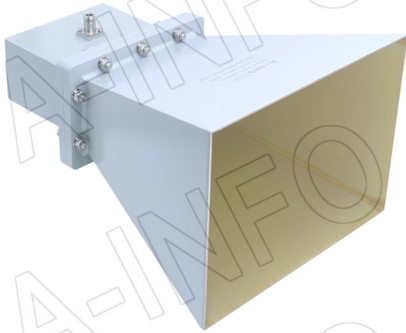


For reference only. See data sheet for the detailed specifications.

Technical Specification

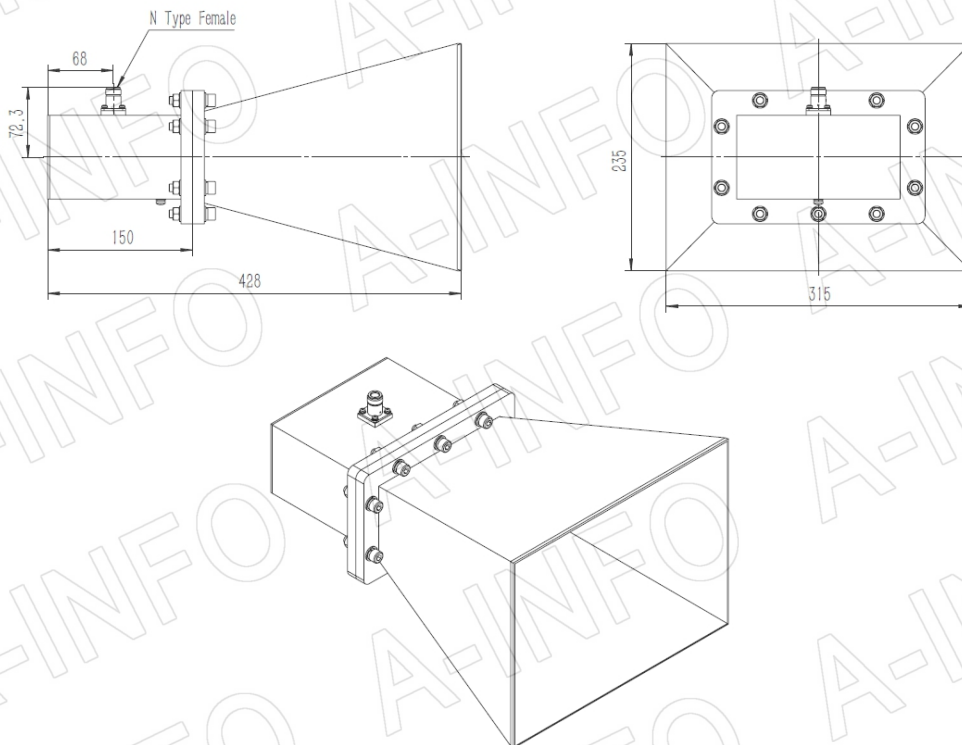


Frequency Range(GHz)	1.0 – 2.0
Gain(dBi)	10 Typ.
Polarization	Linear
3dB Beamwidth(deg)	E Plane: 63 - 31
	H Plane: 56 - 29
Cross Pol. Isolation(dB)	35 Typ.
VSWR	1.5:1 Typ.
Output	N-Female or SMA-Female or 7/16-Female
Power Handling(W CW)	N-Female: 300 Max.
	SMA-Female: 50 Max.
	7/16-Female: 500 Max.
Material	Al
Finish	Chemical Conversion Coating, Gray Paint
Size(mm)	315 x 235 x 428
Net Weight(Kg)	3.4 Around

Outline Drawing (Size: mm)

N-Female Output (P/N: LB-OH-650-10-C-NF)

For SMA-Female or 7/16-Female output outline drawing, please contact A-INFO.



AINFO Inc.

Page 1 of 7

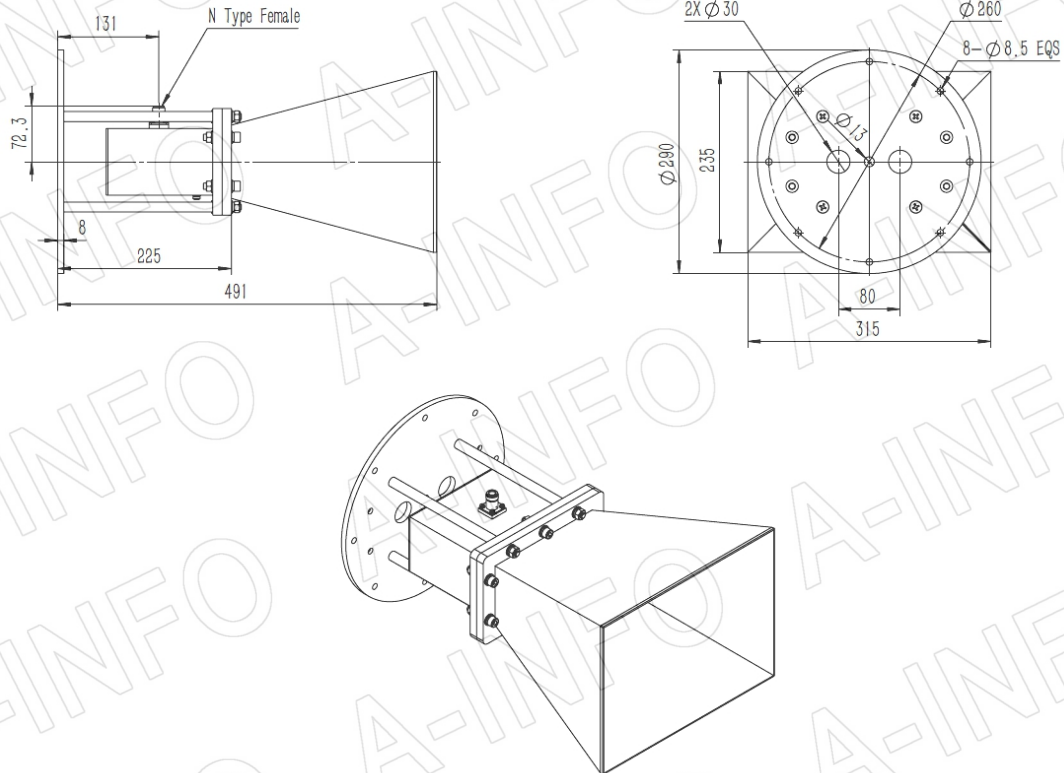
China(Beijing): Tel: (+86) 10-6266-7326,
China(Chengdu): Tel: (+86) 28-8519-2786,
USA: Tel: (+1) 949-639-9688,

(+86) 10-6266-7327 Fax: (+86) 10-6266-7379
(+86) 28-8519-3044 Fax: (+86) 28-8519-3068
(+1) 949-639-9608 Fax: (+1) 949-639-9670

Website: www.ainfoinc.com
Email: sales@ainfoinc.com

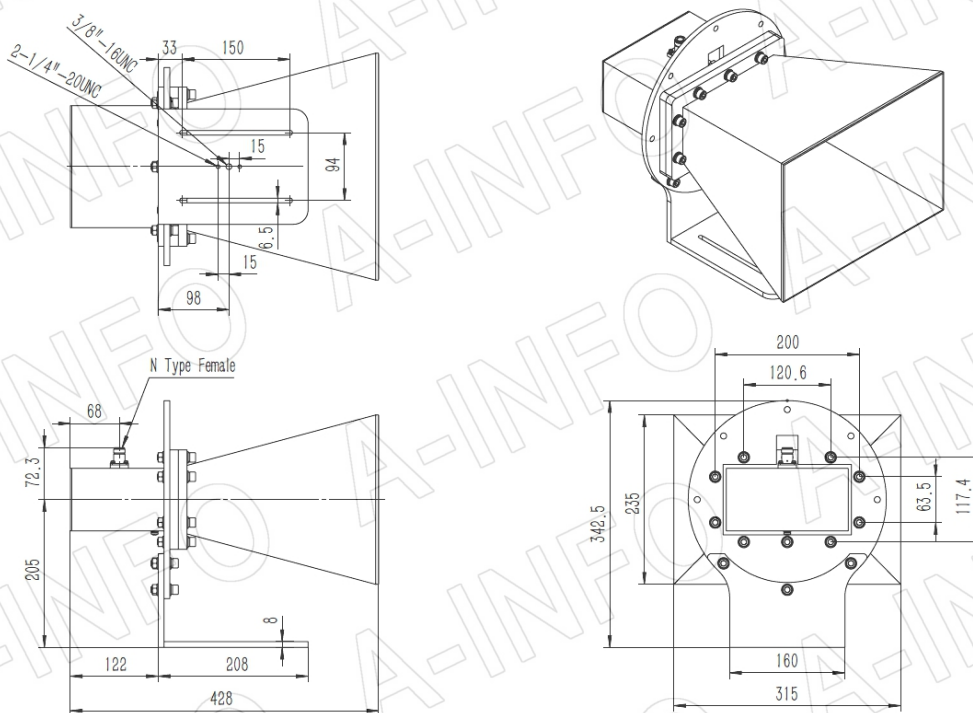
N-Female Output with Round Mounting Bracket (Option, P/N: LB-650-10-C-MB)

For SMA-Female or 7/16-Female output outline drawing, please contact A-INFO.

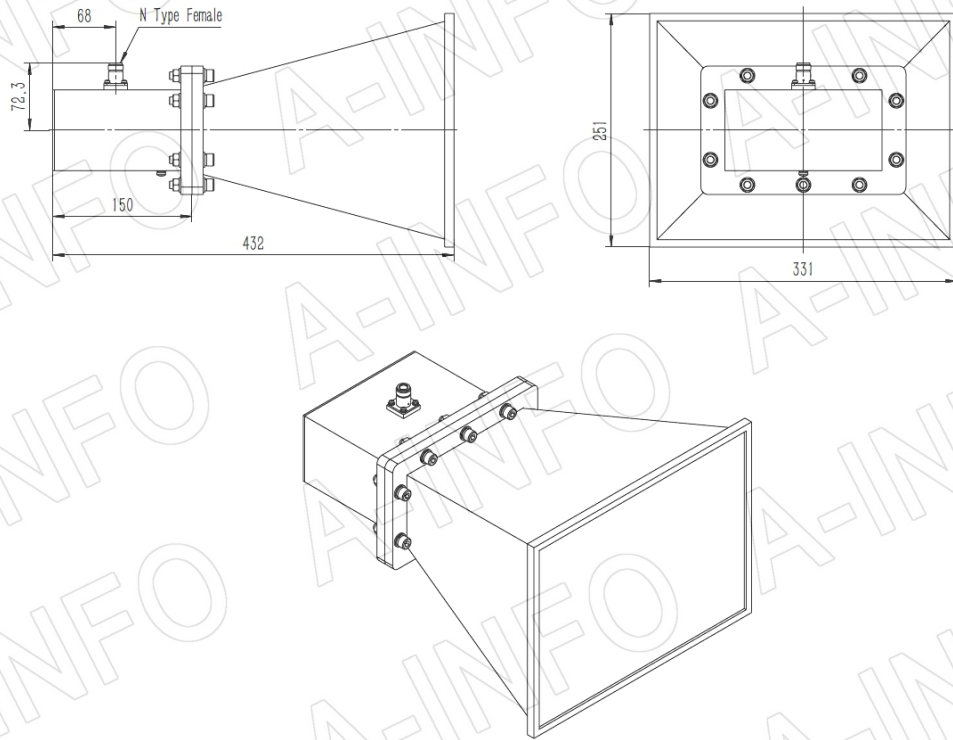


N-Female Output with L Type Mounting Bracket (Option, P/N: LB-650-10-C-L)

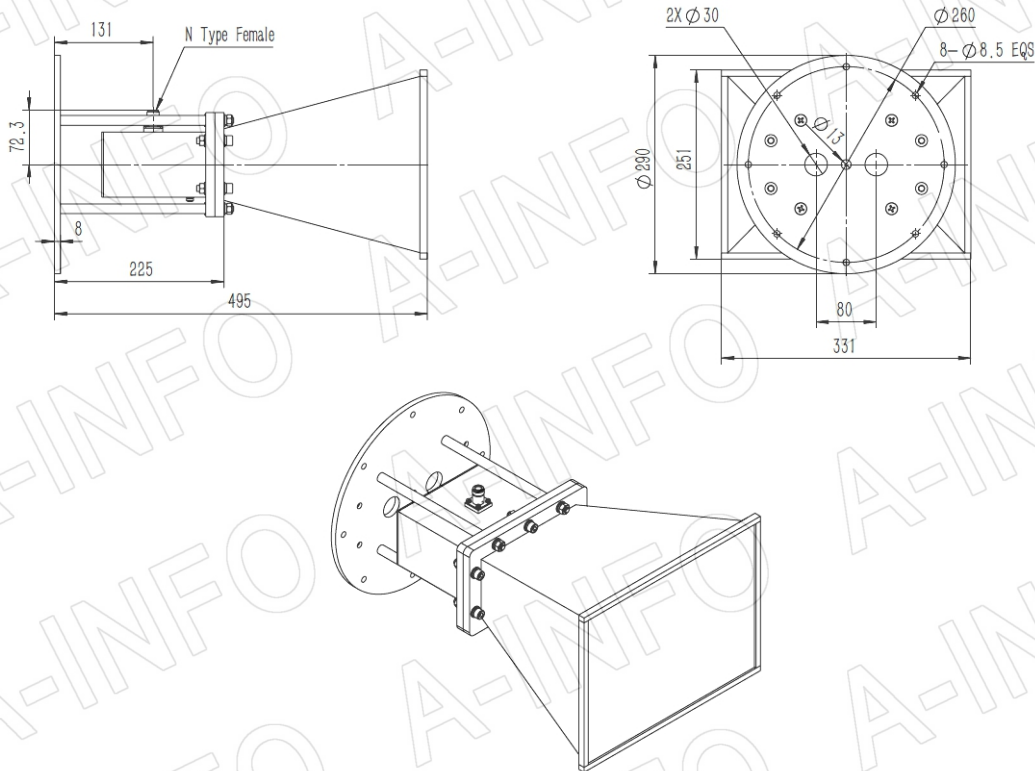
For SMA-Female or 7/16-Female output outline drawing, please contact A-INFO.



N-Female Output with Radome (Option, P/N: LB-OH-650-10-C-NFSPO, Outdoor Application)
 For SMA-Female or 7/16-Female output outline drawing, please contact A-INFO.

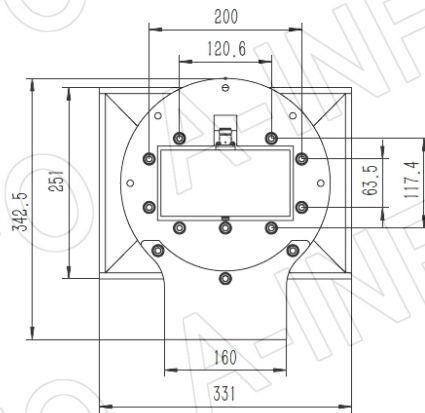
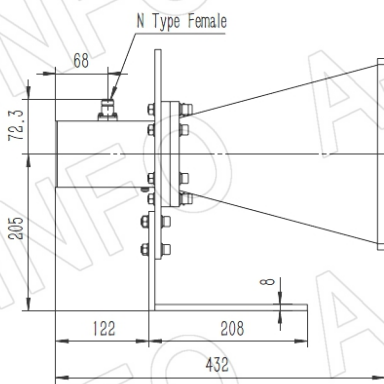
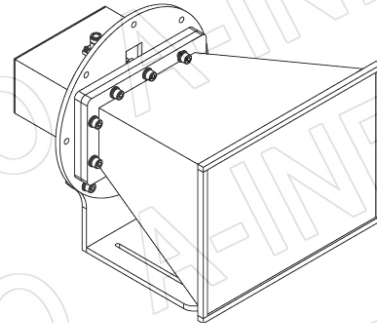
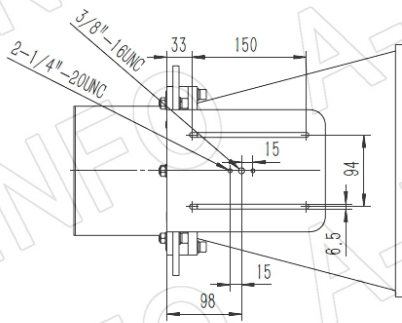


N-Female Output with Round Mounting Bracket & Radome (Option, P/N: LB-650-10-C-MB & LB-OH-650-10-C-NFSPO, Outdoor Application)
 For SMA-Female or 7/16-Female output outline drawing, please contact A-INFO.



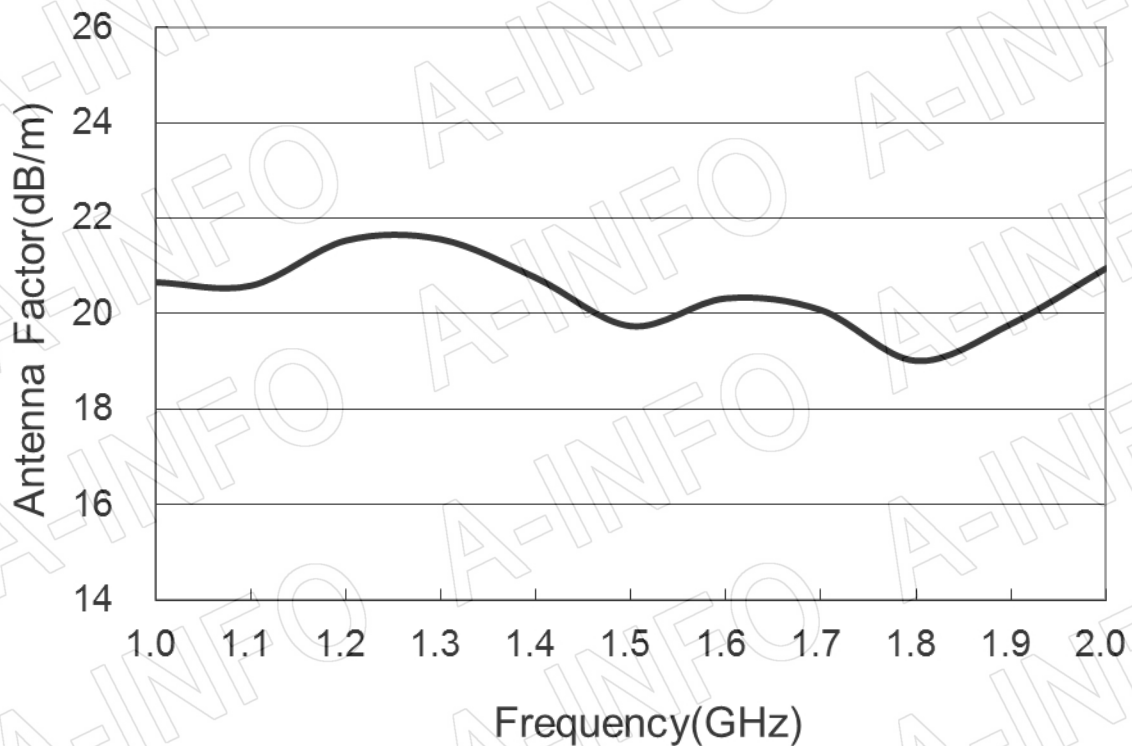
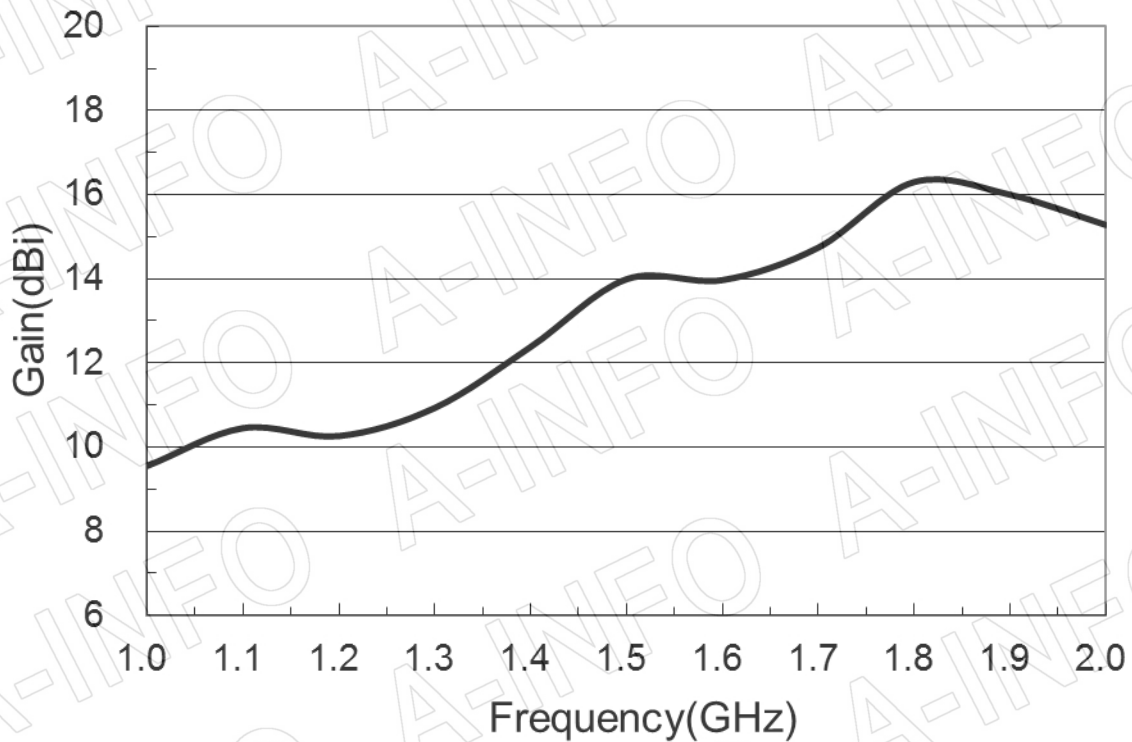
N-Female Output with L Type Mounting Bracket & Radome (Option, P/N: LB-650-10-C-L & LB-OH-650-10-C-NFSP0, Outdoor Application)

For SMA-Female or 7/16-Female output outline drawing, please contact A-INFO.

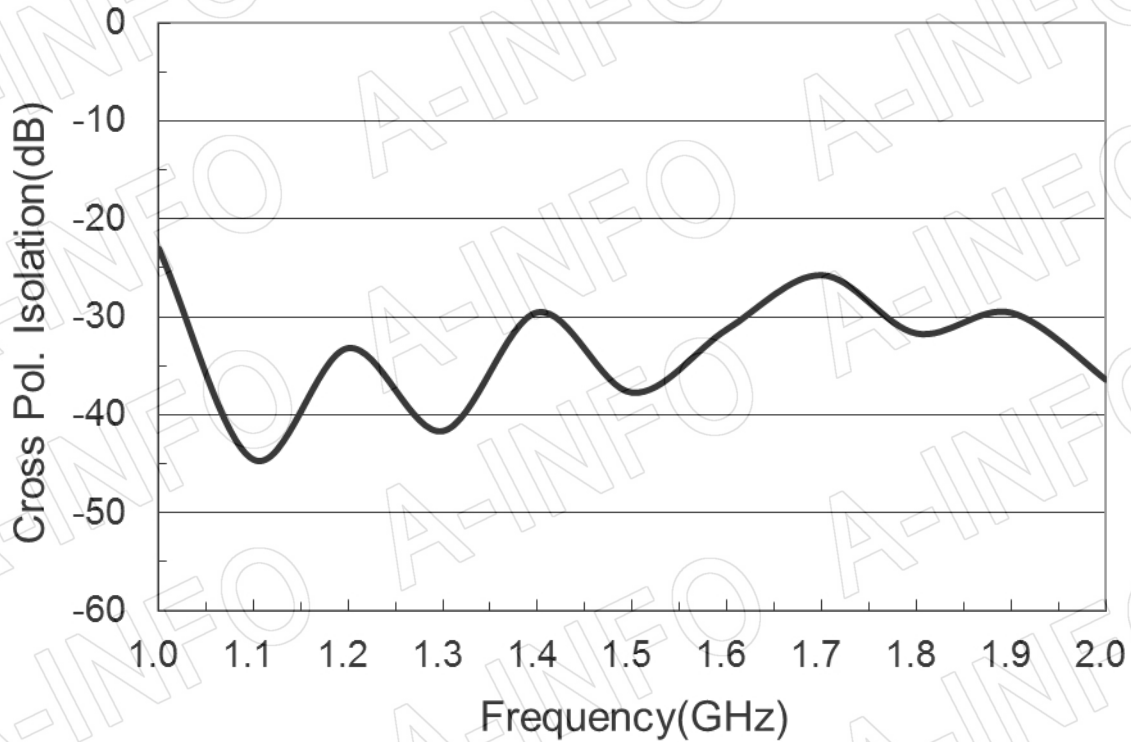


Test Results

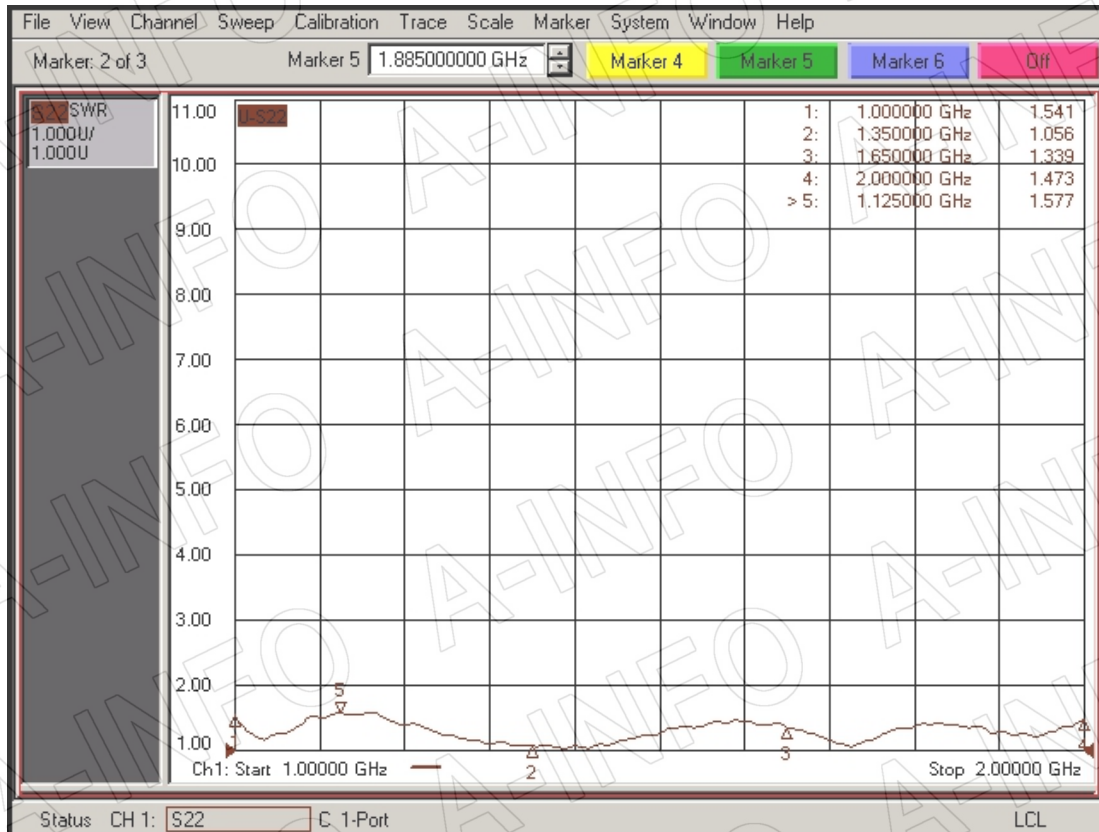
1. Gain & Antenna Factor



2. Cross Pol. Isolation



3. VSWR



4. Pattern

